

ATTENTION:FOR THIS OPERATION YOU HAVE TO CUT OFF THE POWER

DL228G

Ø 122x122 MM



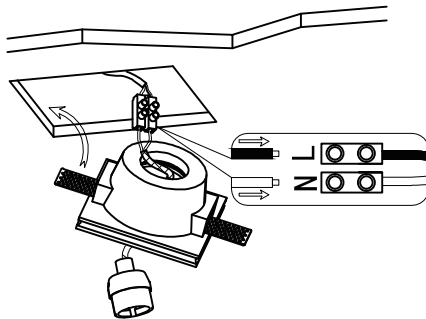
15W 9W 6W



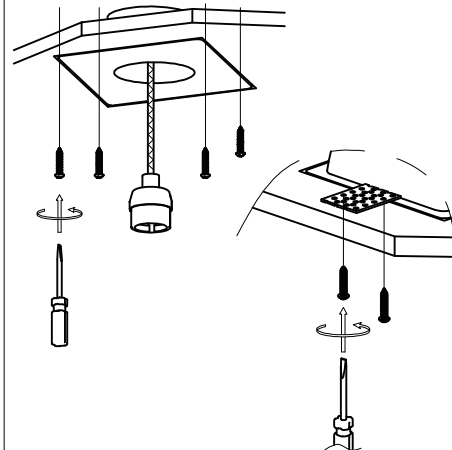
Ø 120x120 MM



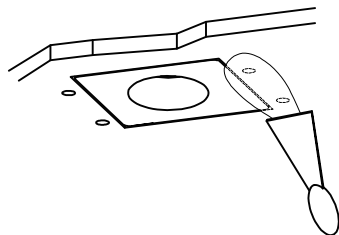
1



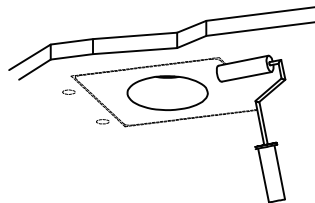
2



3



4



5

